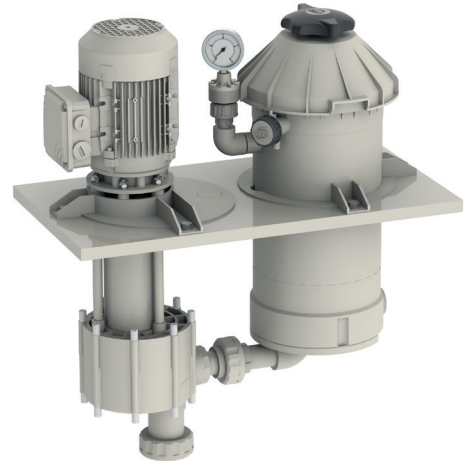


J FILTERS

Highlights

- Polypropylene or PVDF : great resistance to acids and alkalines
- Welded tank, no seals, no risks of leaks
- Intank assembly : no risks of leaks outside the bath
- Out of tank assembly : space gained in the tank
- Quick opening lid



Technical features

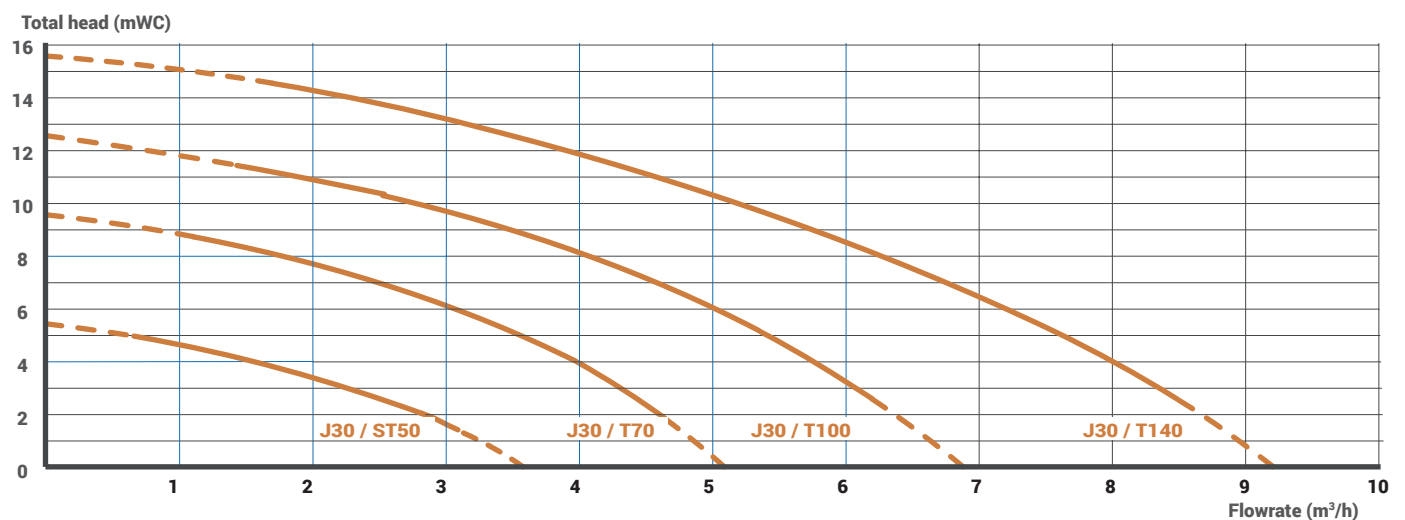
Materials		PP - PVDF
Gaskets		EPDM - FPM
Max temperature	PP	80°C
	PVDF	110°C
Filtration rate		0,2 -> 100 µm
Pumps		T50 - T70 - T72 - T100 - T102 - T140 - T142
Flowrates		5 -> 25 m³/h
Connections		Threaded - Union nut - Grooved nozzle - Flange

Filtration media

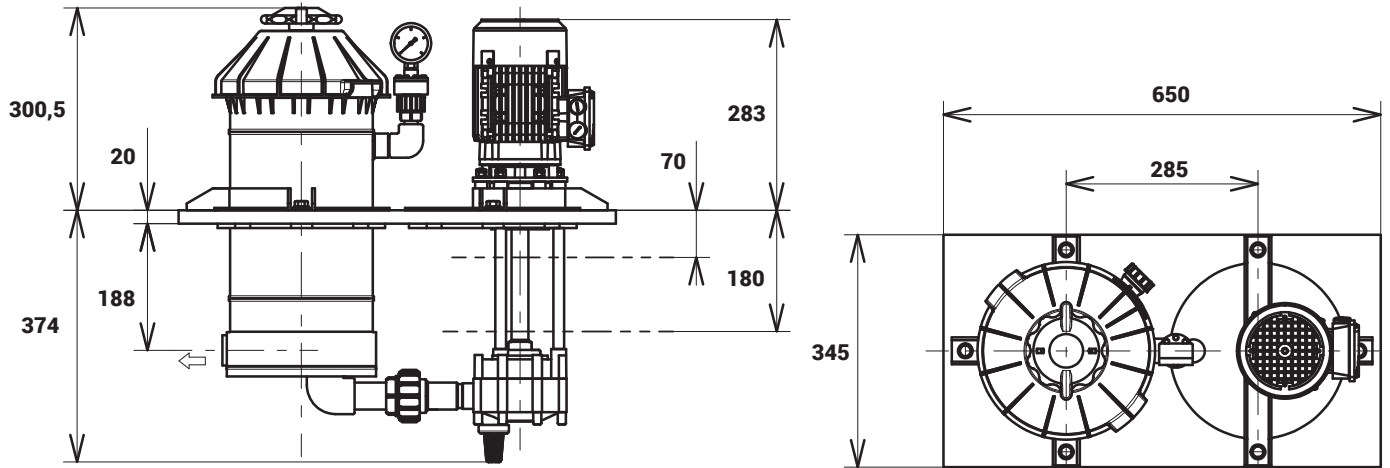


- 1 L-TECH pleated cartridge : 1 x 10"**
- 2 Wound cartridge : 7 x 10"**
- 3 Discs : 32 Ø 195mm**
- 4 Activated carbon : 1 x 5,8L**

Flowrate charts



Encombrement J30 - T50 / T70



Encombrement J30 - T100 / 140

