

DESCRIPTION

The Qualifiltres range QPINOX filter is a large dimension cartridge filter designed for the industrial sector.

It's molded design includes swing bolt closing and DN80, or DN100 PN16 flanges connection.

The lid is equipped with a 1/2" BSP connection for the mounting of a vent valve or manometer and a 1" connection for the mounting of drain valve.

The surface is electropolished in order to facilitate the cleaning and resistance to corrosion. The filters body works with 20" and 30" Filtech Highflow cartridges reducing filtration and intervention costs.

The great filtration area of the Filtech Highflow cartridges enables very low pressure drop and great retention capacities.

CHARACTERISTICS & ADVANTAGES

- Quick closing with swing bolts (BB) for a better resistance to pressure.
- Available in 2 materials: 304 or 316L
- Available in 2 heights: 20" and 30"
- The L-TECH Pleated filtration cartridge possesses a very large filtration area (2,5m²/10"). See Filtech technical data sheet.
- Maintenance intervention simplified thanks to the L-TECH Highflow technology.
- Filtration and intervention costs reduction.
- Filtration flow rate between 20 and 120 m³/h
- Lid gaskets :
 - EPDM (Ref : SI16653).
 - FPM (Ref : SI16654)
- Options available on demand :
 - Manometer, Stainless steel 316L draining and venting valves(Ref : SI16443)
 - Can work with 28 standard cartridges (e.g. Qualitherm or Qualibob)
- Other ends and conceptions available on demand

SERVICE CONDITIONS

- Max working pressure: 7 bar at 75°C
- Can handle up to 10 bar at 100°C



ORDER REFERENCE

REFERENCE QPINOX - **20** - **B80** - **304** - **E**
Tab 1 Tab 2 Tab 3 Tab 4

Table 1 : Filter body size

Code	Description
20	20"
30	30"

Table 2 : Inlet / outlet

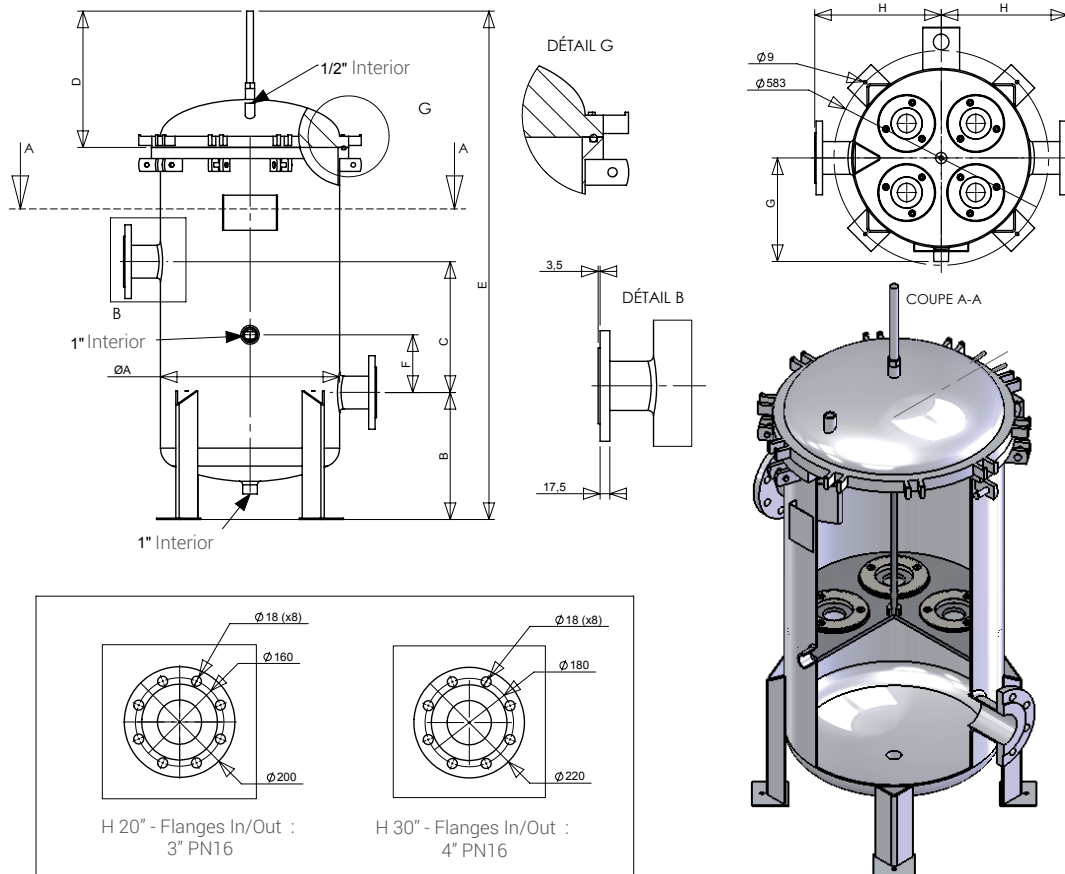
Code	Description
B80	Flange DN 80
B100	Flange DN 100

Table 3 : Materials

Code	Description
304	Stainless steel 304
316	Stainless steel 316L

Table 4 : Gasket

Code	Description
E	EPDM
V	FPM



Modèle	A(mm)	B(mm)	C(mm)	D(mm)	E(mm)	F(mm)	G(mm)	H(mm)
PINOX 20"	Ø486	665	310	370	1380	508	281	343
PINOX 30"	Ø486	915	560	370	1630	758	281	343

Typical flow rate : for QPinox 20", deflectors In/Out 3"

