

# T70

T100 - T140 - T200



## VERTICAL PUMPS

### Highlights

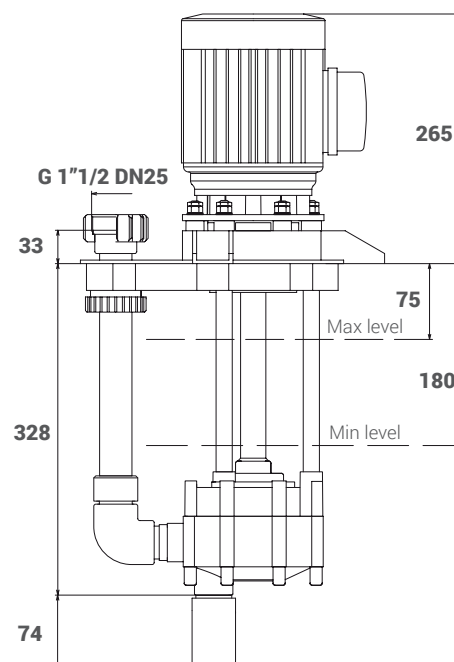
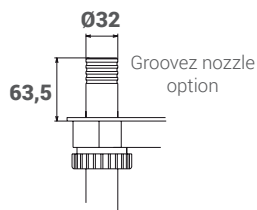
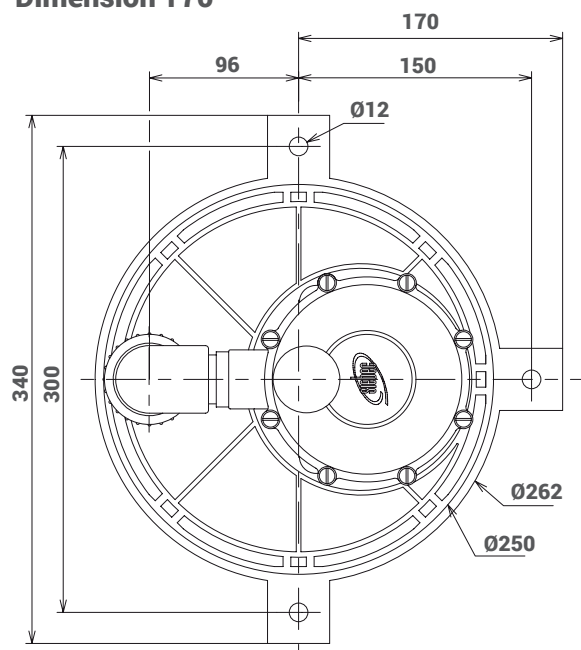
- Intank assembly
- Injected polypropylene or PVDF : great resistance to acids and alkalines
- Closed centrifugal impeller with diffusor : great efficiency
- Impeller driven by a cantilever shaft : No mechanical seal, dry run without problem, no wear pieces, no leakage risks
- Incorporated strainer to the volute : enhanced pump safety
- Connection : union nut
- Option : grooved nozzle, square fixation plate 302mm wide



### Technical features

|                             |      | T 70   | T 100      | T140       | T 200      |
|-----------------------------|------|--|------------|------------|------------|
| <b>Assembly</b>             |      | Intank                                       |            |            |            |
| <b>Electrical motor</b>     |      | IE3 (except T70)                             |            |            |            |
| <b>Motor supply - V</b>     |      | 230V / 400V 3ph (230V 1ph for PVDF versions) |            |            |            |
| <b>Frequency - Hz</b>       |      | 50 or 60                                     |            |            |            |
| <b>Rotation speed - rpm</b> |      | 3 000  |            |            |            |
| <b>Power - kW</b>           |      | 0,55   | 0,75       | 1,1        | 1,1        |
| <b>Max flowrate - m³/h</b>  |      | 7,2  | 10         | 14,5       | 18,5       |
| <b>Max total head - mWC</b> |      | 9  | 13         | 14,3       | 15,5       |
| <b>Max temperature - °C</b> | PP   | 80   | 80         | 80         | 80         |
|                             | PVDF | 110  | 110        | 110        | 110        |
| <b>Density</b>              |      | <1,3   | <1,3       | <1,3       | <1,3       |
| <b>Gasket</b>               | PP   | EPDM - FPM                                   | EPDM - FPM | EPDM - FPM | EPDM - FPM |
|                             | PVDF | FPM  | FPM        | FPM        | FPM        |

### Dimension T70



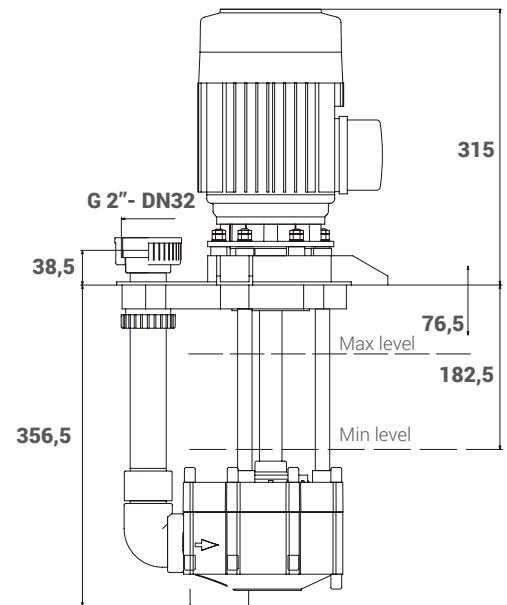
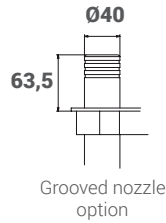
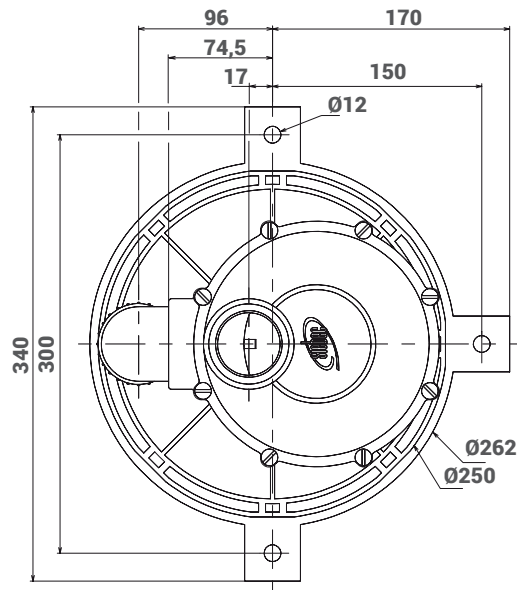
# T70

T100 - T140 - T200



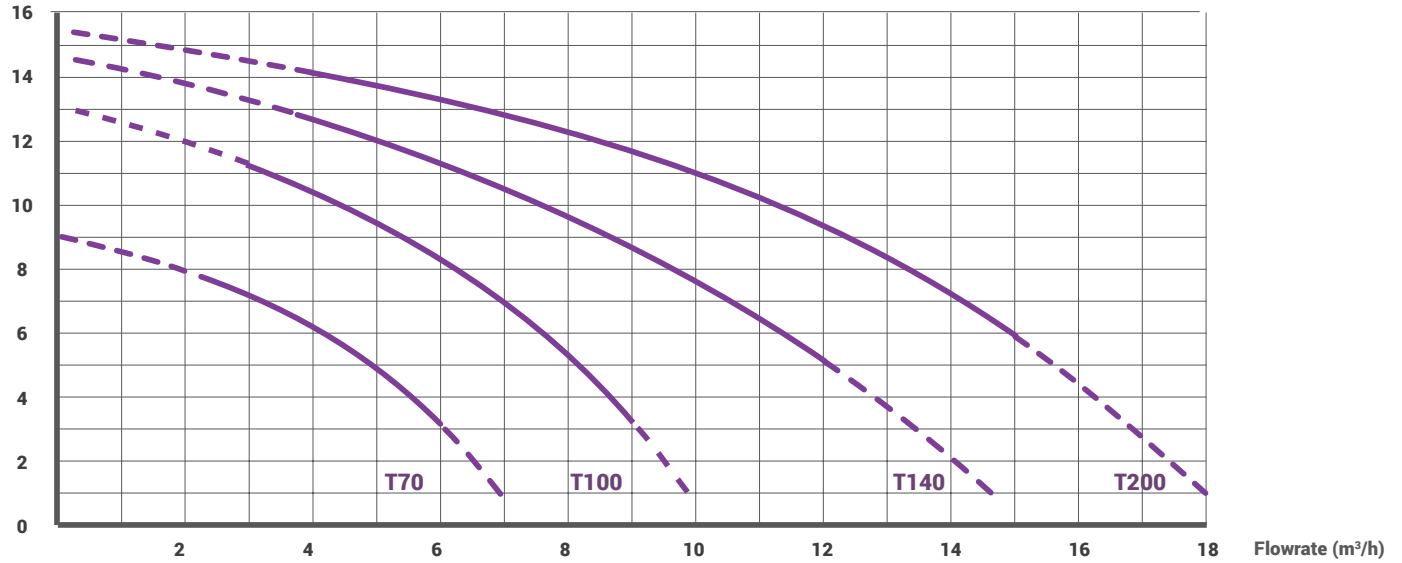
VERTICAL PUMPS

## Dimensions T100 - T140 - T200



## Flowrate charts

Total Head (mWC)



## Efficiency charts

Efficiency (%)

