

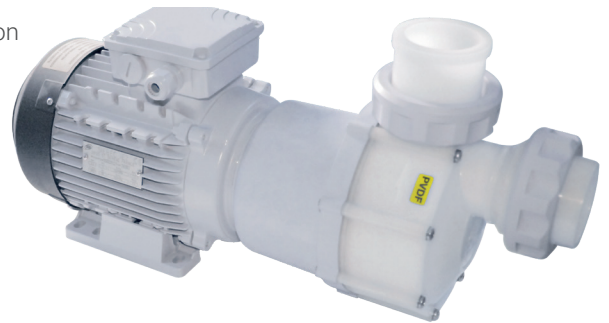
M 290



MAGNETIC DRIVE PUMPS

Highlights

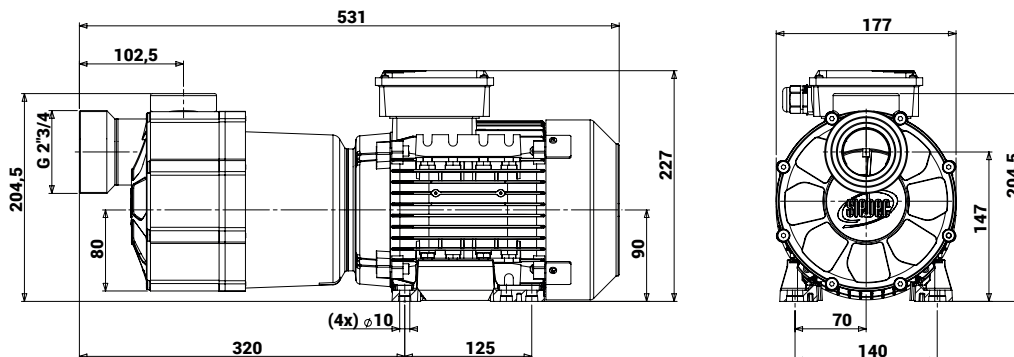
- Polypropylene construction : great resistance to acids and alkalines
- Closed centrifugal impeller with diffusor : great efficiency
- Magnetic drive : no mechanical seals, no risks of leaks
- Impeller shaft ceramic / ceramic or ceramic / graphite with ceramic / rulon stop : great resistance (no dry run)
- Self-priming : up to 2m vacuum
- Integrated safety strainer
- Integrated electrical motor IE3
- Connection : grooved nozzles
- Option : union nut, flanges



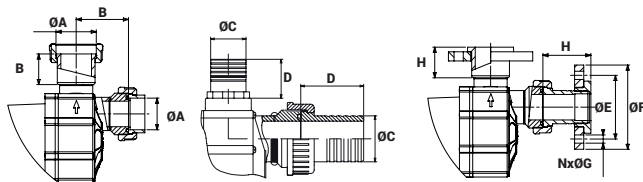
Technical features

Drive	Magnetic	
Shaft / Sleeve	Ceramic / ceramic	
Electrical motor	IE3	
Power supply - V	230 / 400 3ph	
Frequency - Hz	50 or 60	
Rotation speed - rpm	3 000	
Motor power - kW	2,2 kW	
Max output - m³/h	31,5	
Max head - mWC	21,5	
Max temperature - °C	PP	80
	PVDF	110
Density	<1,5	
Gaskets	PP	EPDM - FPM
	PVDF	FPM

Dimensions



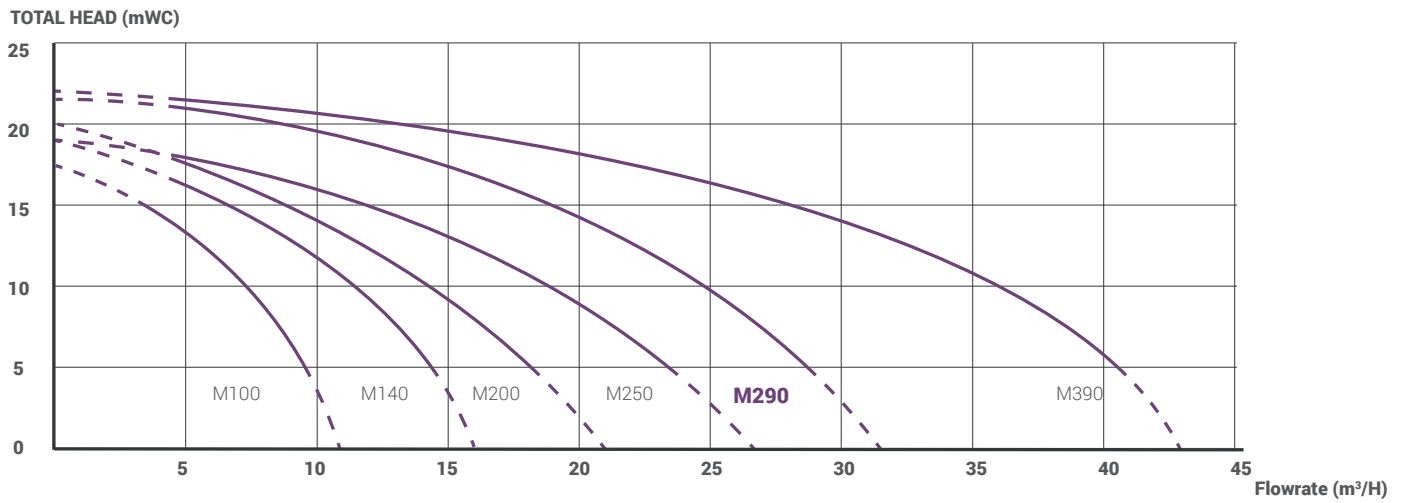
Connections



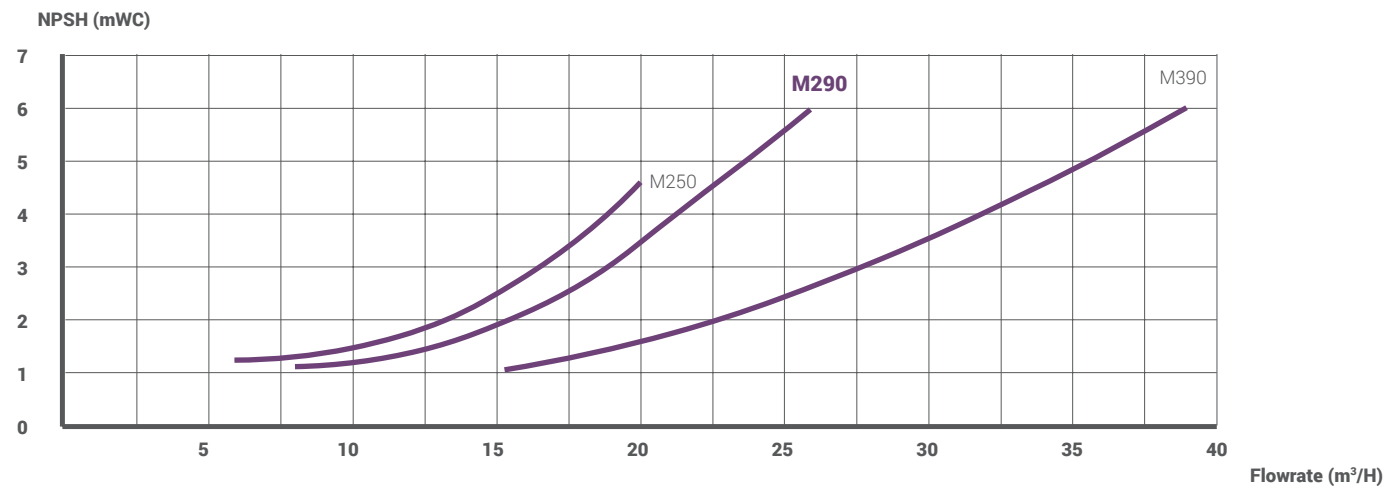
- 1** Union nut **2** Grooved nozzles **3** Flanges

		Inlet	Outlet
1	ØA-B	Ø62 - 102,5	G 2x3/4 (DN50) - 60
2	ØC - D	Ø65 - 65	Ø50 - 55
3	ØE - ØF - NxØG - H	Ø125 - Ø165 - 4x18 - 94	Ø125 - Ø165 - 4x18 - 60

Flowrate charts



NPSH charts



Efficiency charts

