

# MC15



## MC FILTERS

### Highlights

- Injected polypropylene or PVDF : great resistance to bases and alkalines
- Welded tank, no seals, no risks of leaks
- Side pannels protecting the pump from splashes
- Quick opening lid
- Automatic vent
- Assembly in series or parallel
- Double tank version (MC 15 2x10)



### Technical features

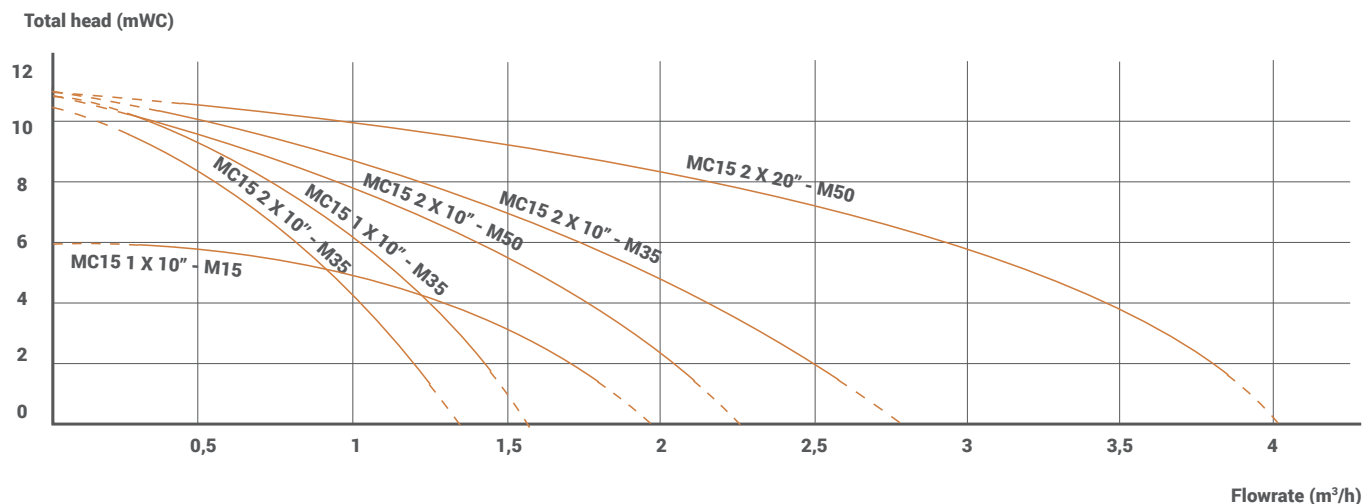
<b>Materials</b>		PP - PVDF
<b>Gaskets</b>		EPDM - FPM
<b>Max temperature</b>	<b>PP</b>	80°C
	<b>PVDF</b>	110°C
<b>Filtration rate</b>		0,5 -> 150 µm
<b>Pumps</b>		M15 - M35 - M50
<b>Flow rates</b>		1,5 -> 4 m³/h
<b>Connections</b>		Union nut - grooved nozzle - flanges

### Filtration media

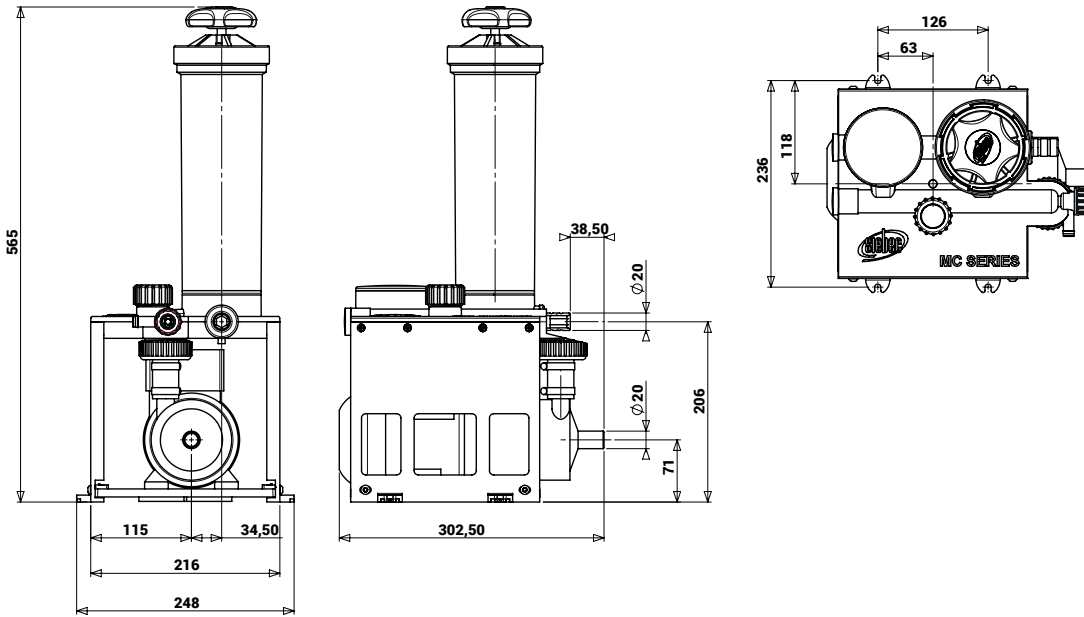


- 1** Wound cartridges :
- MC 15 : 1 x 10"
  - MC 15 parallele : 2 x 10" or 20"
  - MC 15 series : 2 x 10" or 20"
  - MC 15 PVDF : 1 x 10"
  - MC 15 parallel PVDF : 2 x 10"

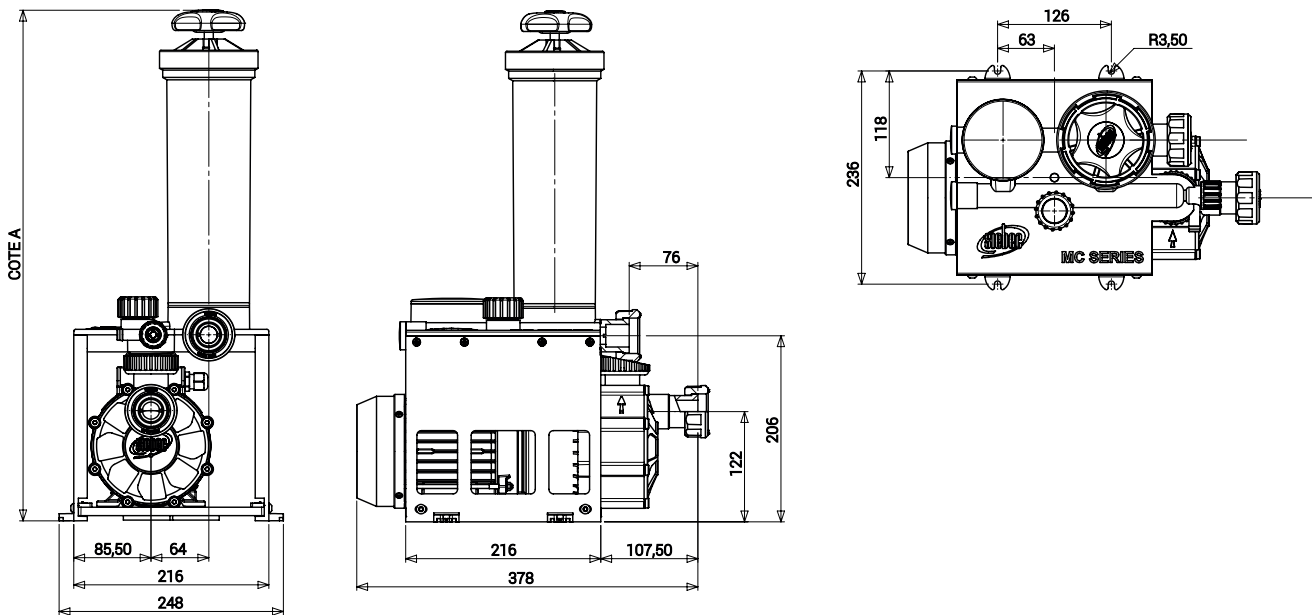
### Flowrate charts



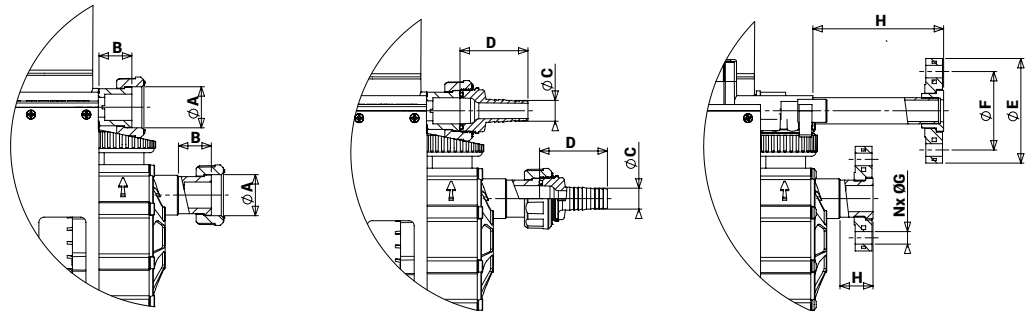
## Dimensions MC15 - M15



## Dimensions MC15 - M35 / M50



## Connections M35 - M50



Pumps		Union nut ØA-B	Grooved nozzles ØC - D	Flanges ØE - ØF - NxØG - H
M35	Inlet	G 1"1/4 - DN20 - 31,5	Ø20 - 65	Ø100 - Ø75 - 4x Ø12 - 31,5
	Outlet	G 1"1/4 - - DN20 - 31,5	Ø20 - 65	Ø100 - Ø75 - 4x Ø12 - 175
M50	Inlet	G 1"1/2 - DN25 - 31,5	Ø25 - 65	Ø115 - Ø85 - 4x Ø14 - 31,5
	Outlet	G 1"1/2 - DN25 - 31,5	Ø25 - 65	Ø115 - Ø85 - 4x Ø14 - 175