

P52

P52E

P FILTERS



Highlights

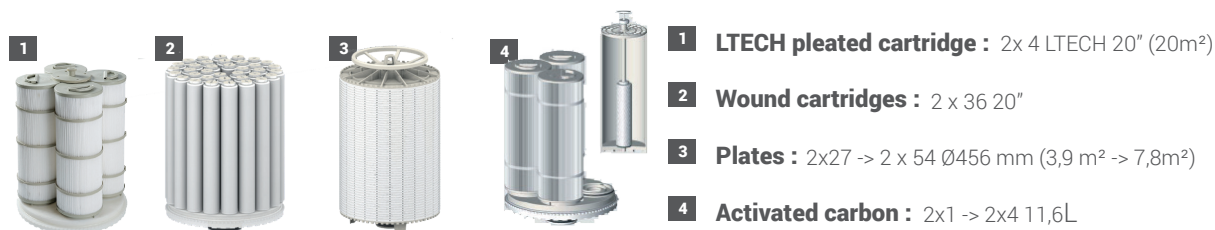
- Injected polypropylene : great resistance to acids and alkalines
- Monoblock injected tank without welding
- Side pannels protecting the pump from splashes
- Large interchangeable range of filtration medias
- Entirely customizable
- Series or parallel filtration
- Tanks in Bypass
- Custom made according to your specifications



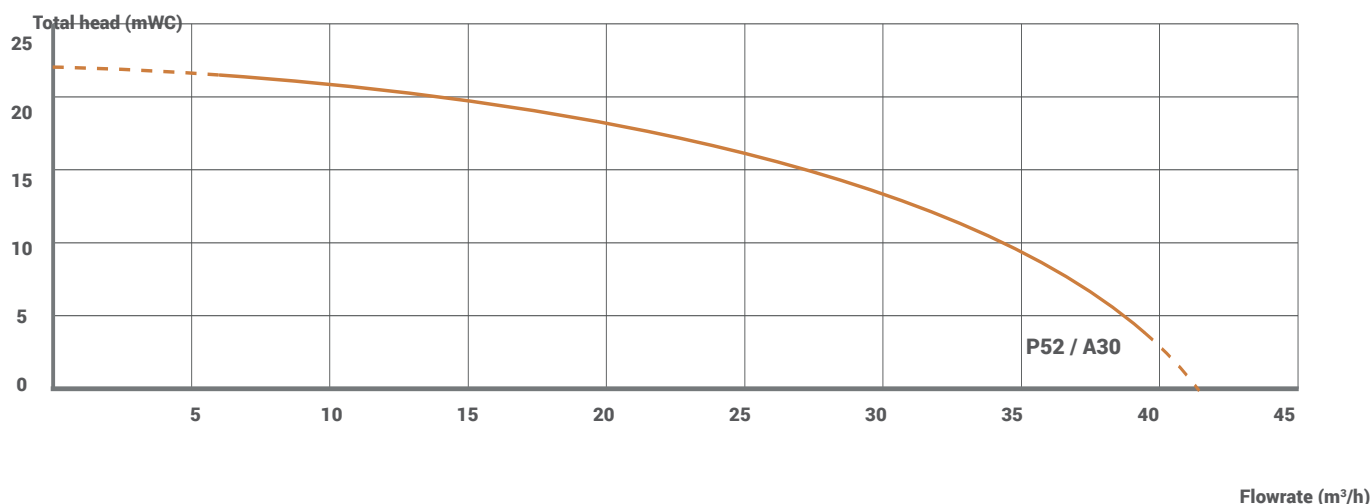
Technical features

Materials	PP
Gaskets	EPDM - FPM
Max temperature	80°C
Filtration rate	0,2 -> 100 µm
Pumps	A27 - A30 - M290 - M390
Flowrate	26 à 41 m3/h
Connectipon	Threaded, Union nut, grooved nozzle, flanges
Dissolution tank	100L
Options	OILTECH container : PP microfibres, bag filtration: BAGTECH

Filtration medias



Flowrate charts



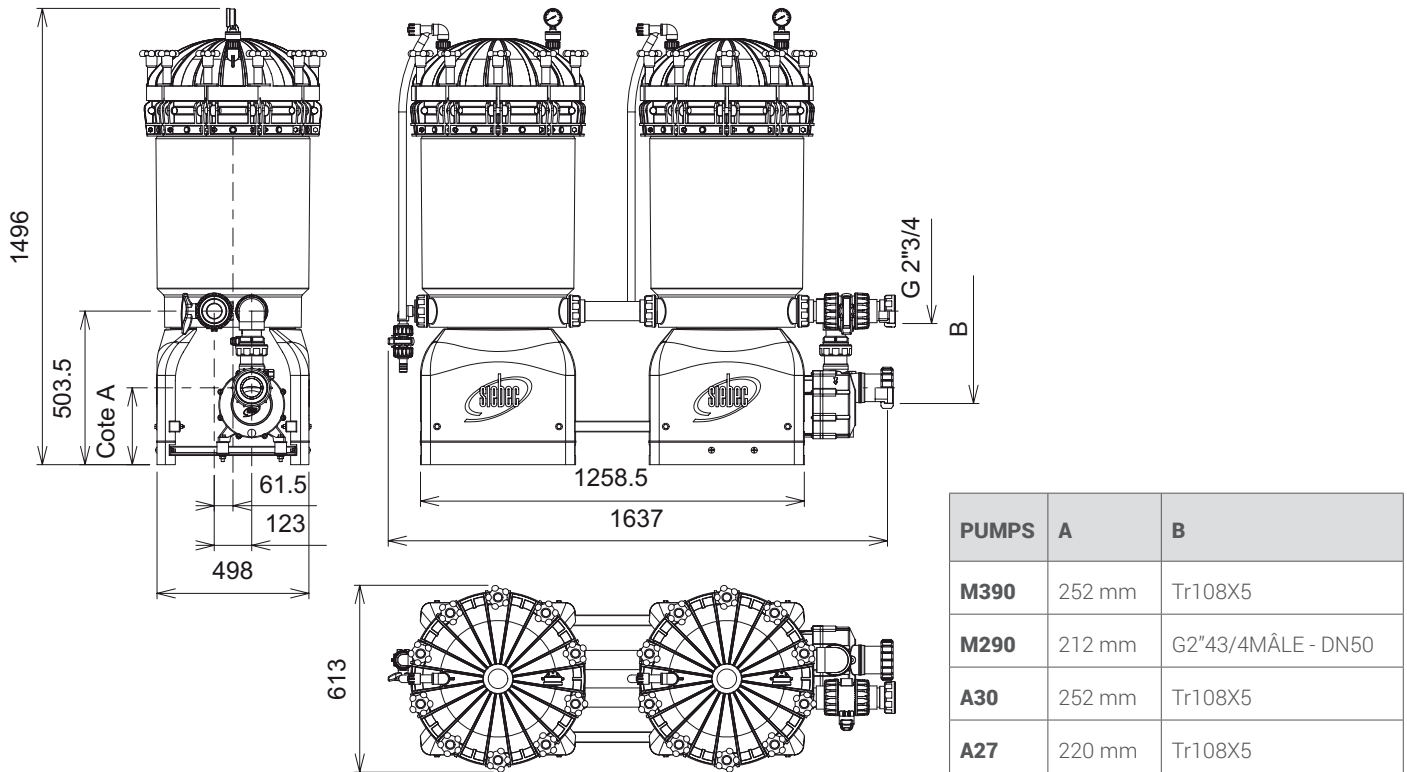
P52

P52E

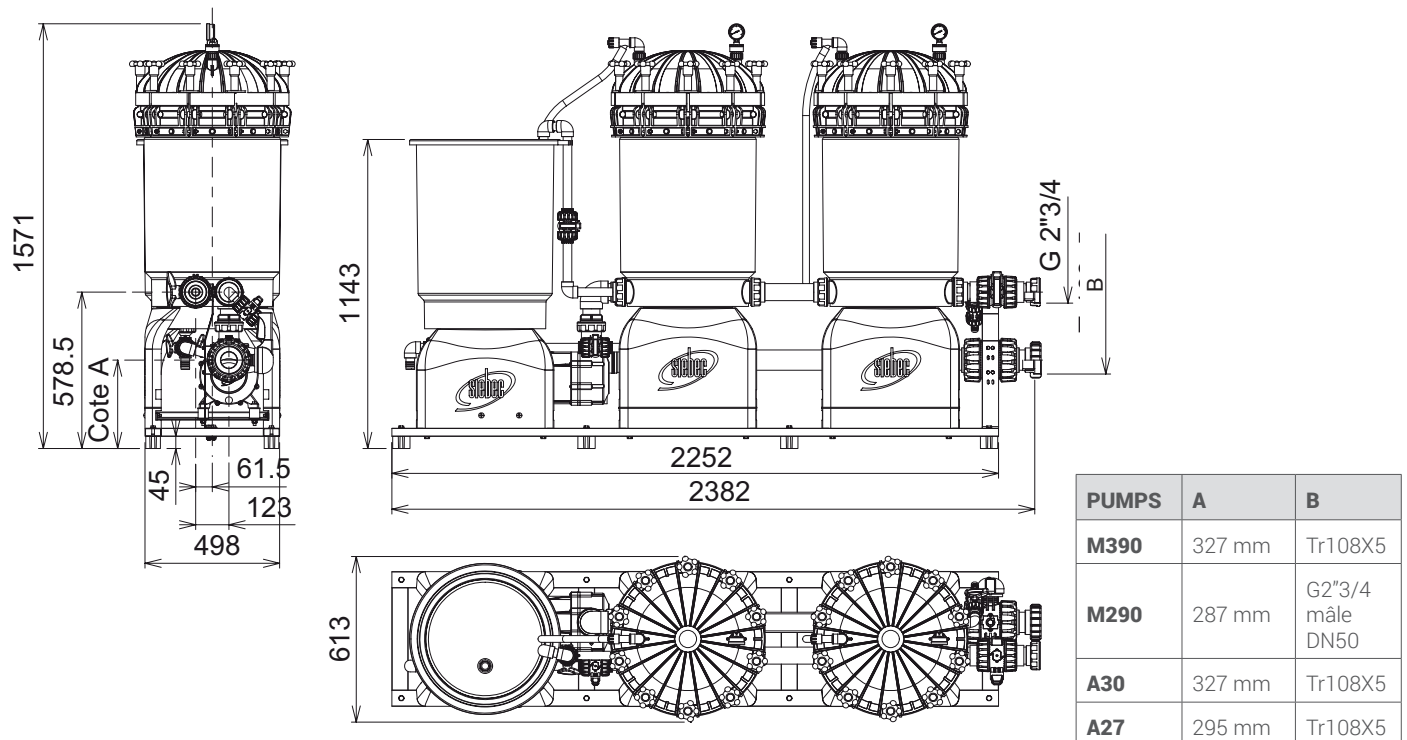
P FILTERS



Dimensions



Dimensions with dissolution tank



Other specific versions are available on request.