

P51

P51E

P FILTERS



Highlights

- Injected polypropylene : great resistance to acids and alkalines
- Monoblock injected tank without welding
- Side pannels protecting the pump from splashes
- Large interchangeable range of filtration medias
- Entirely customizable



Technical features

Materials	PP
Gaskets	EPDM - FPM
Max temperature	80°C
Filtration rate	0,2 -> 100 µm
Pumps	A27 - A30 - M290 - M390
Flowrate	26 -> 41 m3/h
Connectipon	Threaded, Union nut, grooved nozzle, flanges
Dissolution tank	100L
Options	OILTECH container : PP microfibres, bag filtration: BAGTECH

Filtration medias

1 

2 

3 

4 

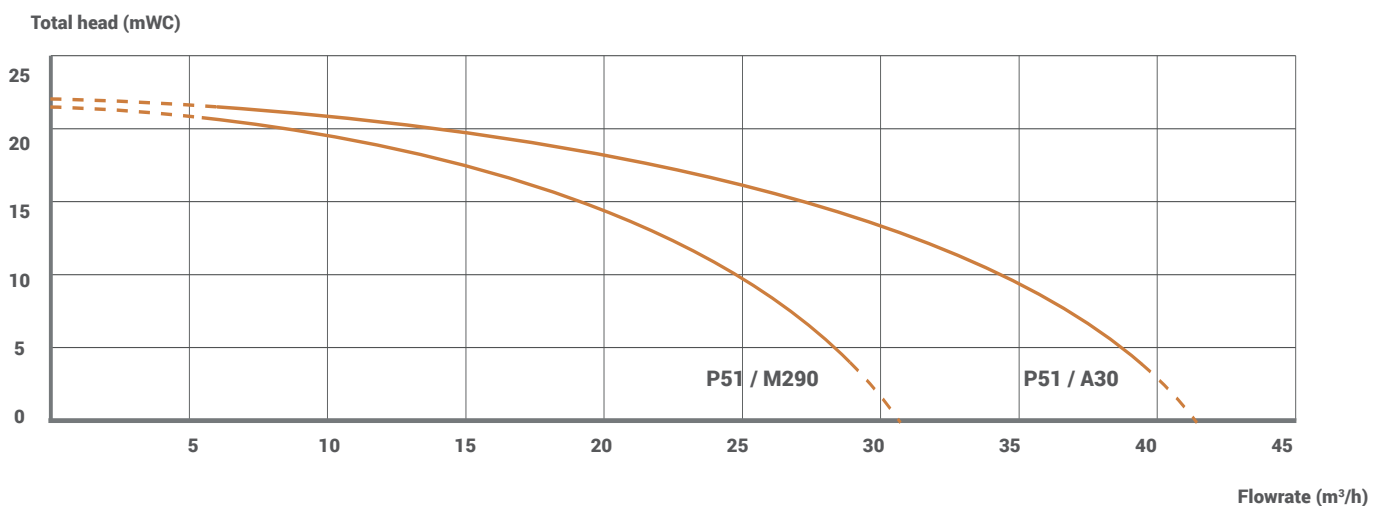
1 LTECH pleated cartridge : 4 LTECH 20" (20m²)

2 Wound cartridges : 36 x 20"

3 Plates : 27 -> 54 Ø456 mm (3,9 m² -> 7,8 m²)

4 Activated carbon : 1 -> 4 x 11,6L

Flowrate charts

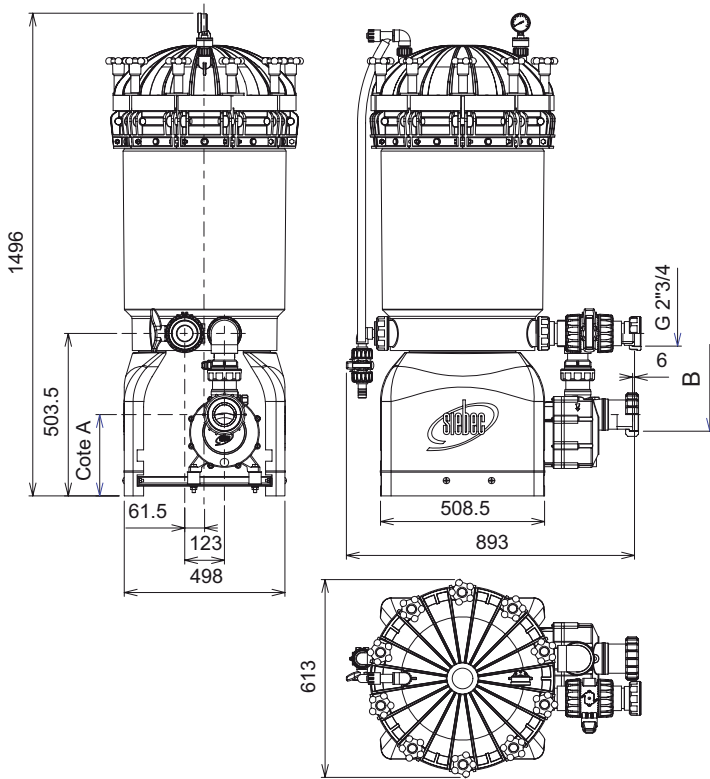


P51 P51E

P FILTERS

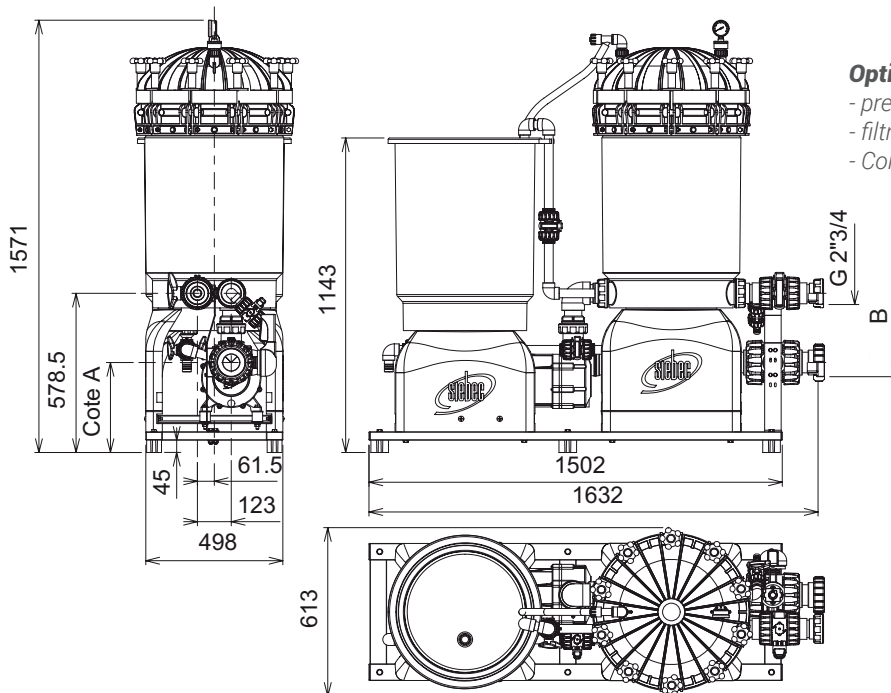


Dimensions



PUMPS	A	B
M390	252 mm	Tr108X5
M290	212 mm	G2"43/4MÂLE - DN50
A30	252 mm	Tr108X5
A27	220 mm	Tr108X5

Dimensions with dissolution tank



Options available :

- pressure sensor
- filtration tank draining system into coating tank
- Consult us for any specific request

PUMPS	A	B
M390	327 mm	Tr108X5
M290	287 mm	G2"43/4MÂLE - DN50
A30	327 mm	Tr108X5
A27	295 mm	Tr108X5