

P50 P50E

P FILTERS



Highlights

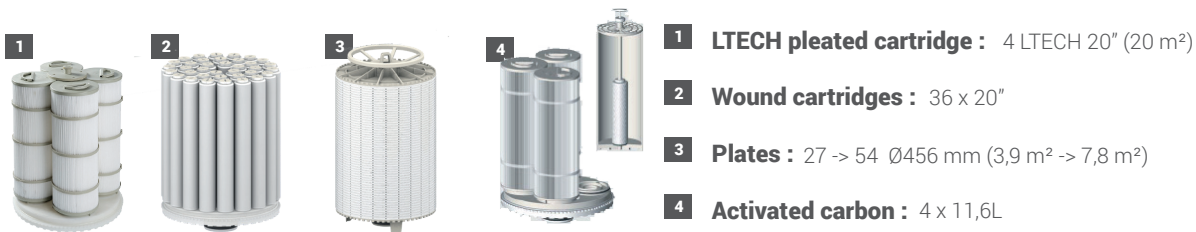
- Injected polypropylene : great resistance to acids and alkalines
- Monoblock injected tank without welding
- Side pannels protecting the pump from splashes
- Large interchangeable range of filtration medias
- Entirely customizable



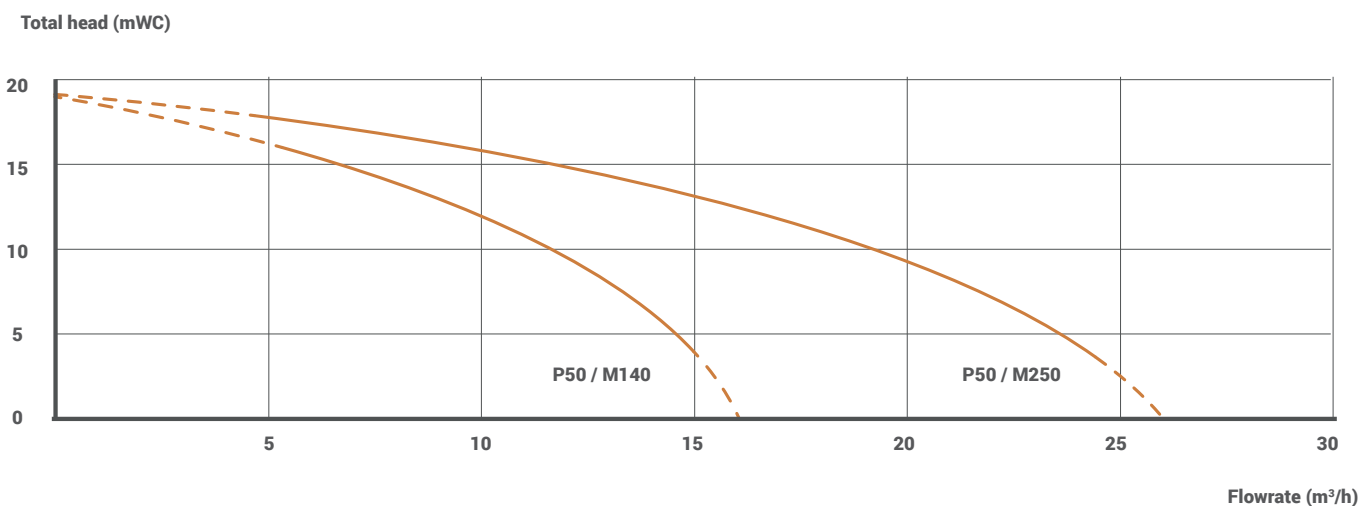
Technical features

Materials	PP
Gaskets	EPDM - FPM
Max temperature	80°C
Filtration rate	0,2 -> 100 µm
Pumps	A19 - M140 - M200 - M250
Flowrate	16 -> 25 m³/h
Connectipon	Threaded, Union nut, grooved nozzle, flanges
Dissolution tank	100L
Options	OILTECH container : PP microfibres, bag filtration: BAGTECH

Filtration medias



Flowrate charts

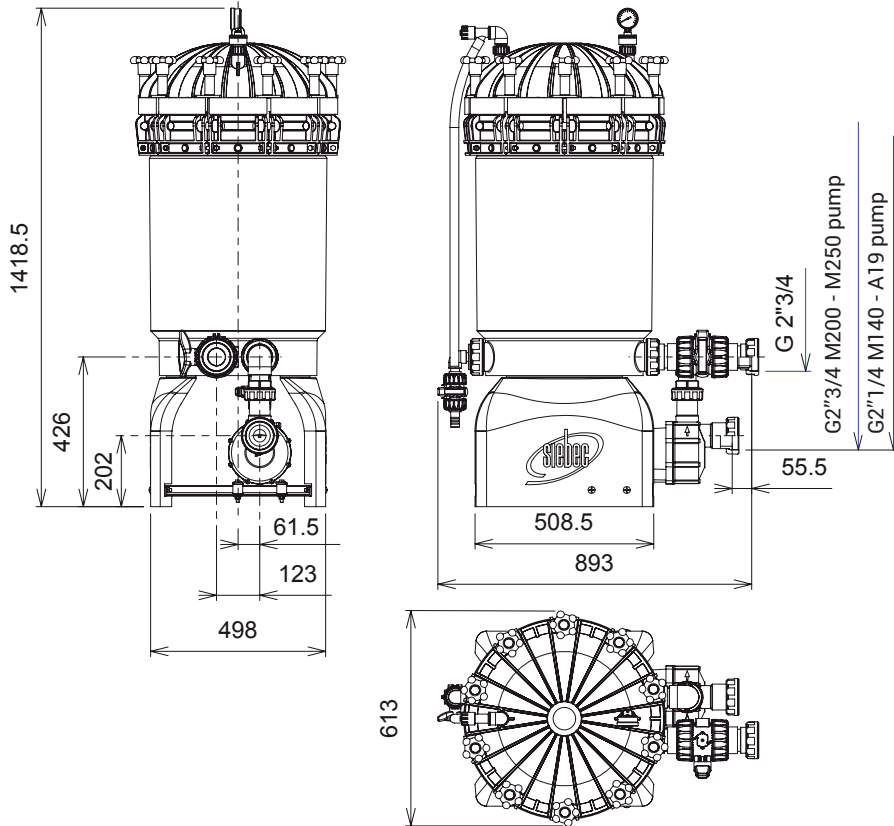


P50 P50E

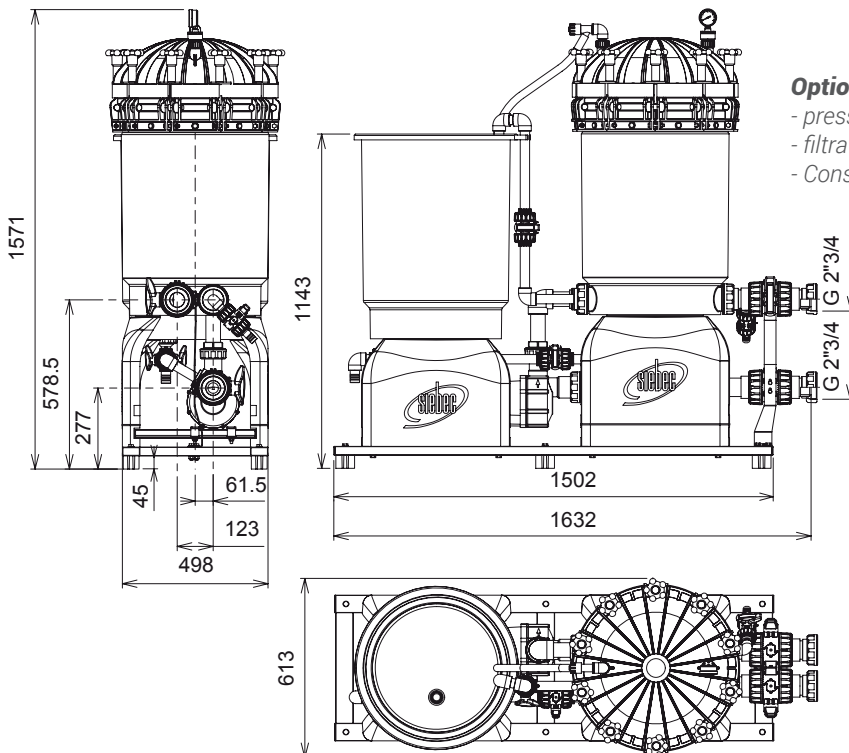
P FILTERS



Dimensions



Dimensions with dissolution tank



Options available :

- pressure sensor
- filtration tank draining system into coating tank
- Consult us for any specific request