

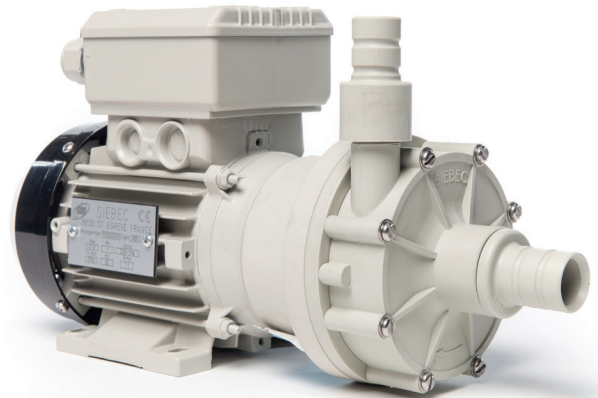
# M 25



## MAGNETIC DRIVE PUMPS

### Highlights

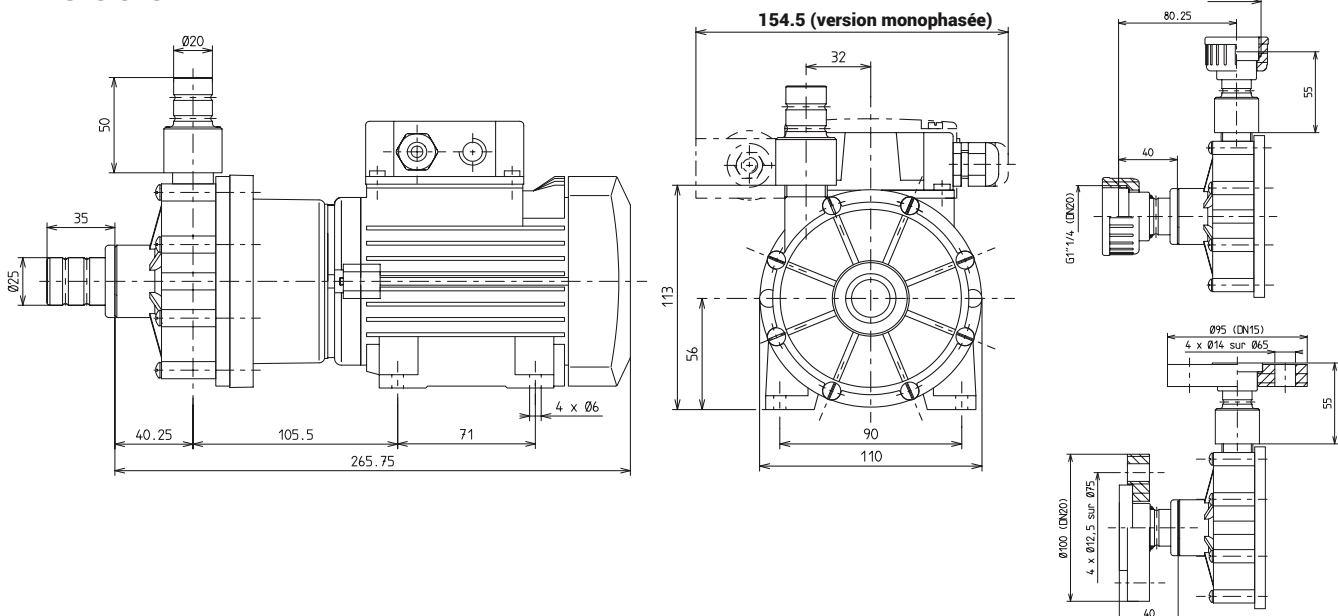
- Polypropylene construction : great resistance to acids and alkalines
- Closed centrifugal impeller : great efficiency
- Magnetic drive : no mechanical seals, no risks of leaks
- Connection : grooved nozzles
- Option : union nut, flanges



### Technical features

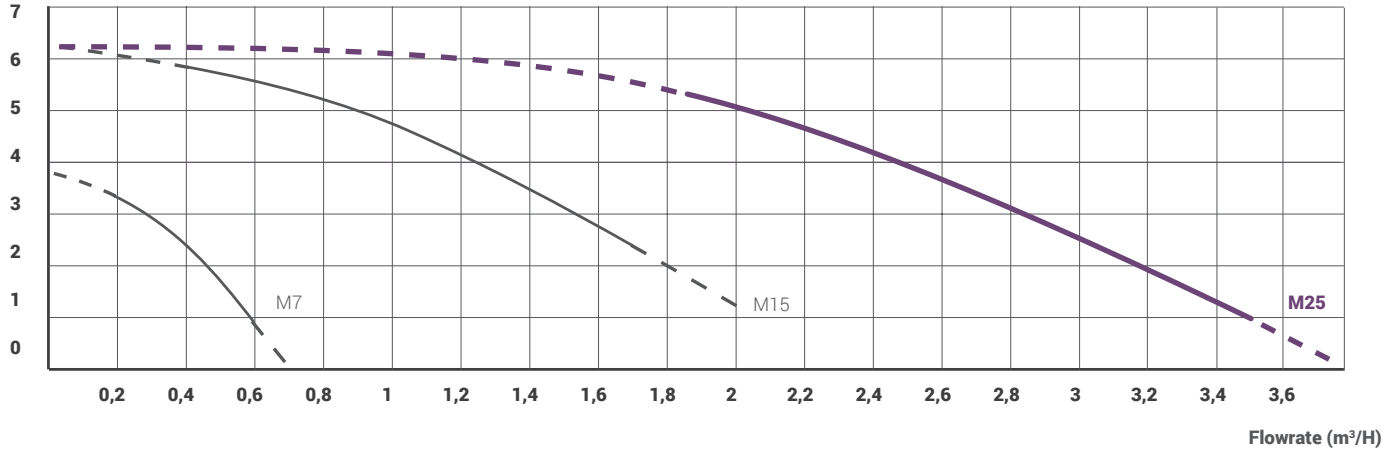
<b>Drive</b>		Magnetic
<b>Shaft / Sleeve</b>		ceramic / ceramic or graphite / ceramic
<b>Electrical motor</b>		Integrated
<b>Power supply - V</b>		230V 1ph or 230/400 V 3 ph
<b>Frequency - Hz</b>		50 or 60
<b>Rotation speed - rpm</b>		3 000
<b>Motor power - kW</b>		0.12
<b>Max output - m<sup>3</sup>/h</b>		3
<b>Max head - mWC</b>		7
<b>Max temperature - °C</b>	PP	80
	PVDF	Not available
<b>Density</b>		<1,1
<b>Gaskets</b>	PP	EPDM - FPM
	PVDF	Not available

### Dimensions



## Flowrate charts

TOTAL HEAD (mWC)



## NPSH charts

NPSH (mWC)

