

S50 S50E

S FILTER



Highlights

- Fiber glass injected polypropylene : great resistance to acids and alkalines
- Monobloc injected tank, no seals, no risks of leaks
- Side pannels protecting the pump from splashes
- Ergonomic handles
- Wide rang of intercheangable medias



Technical features

Materials	Fiber glass injected polypropylene
Max temperature	70°C
Filtration rate	0,2 -> 100 µm
Pumps	A19 - M100 - M140 - M200 - M250 - M290
Flowrate	9 -> 28 m³/h
Connection	Threaded - union nuts - grooved nozzle - flanges
Dissolution tank	30L
Options	OIL TECH : PP microfiber charge

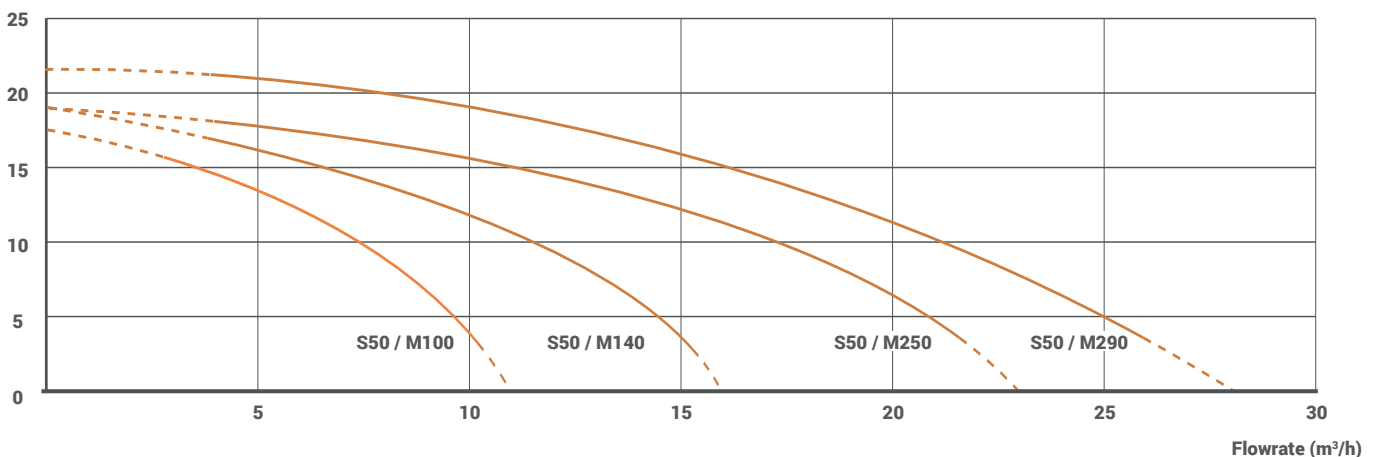
Filtration medias



- 1 S-TECH pleated cartridge :** 2 S-TECH 10" (2x5m²=10m²)
- 2 Wound cartridges :** 12 x 20"
- 3 Discs :** 58 Ø258
- 4 Activated carbon :** 11,6L

Flowrate charts

Total head (mWC)

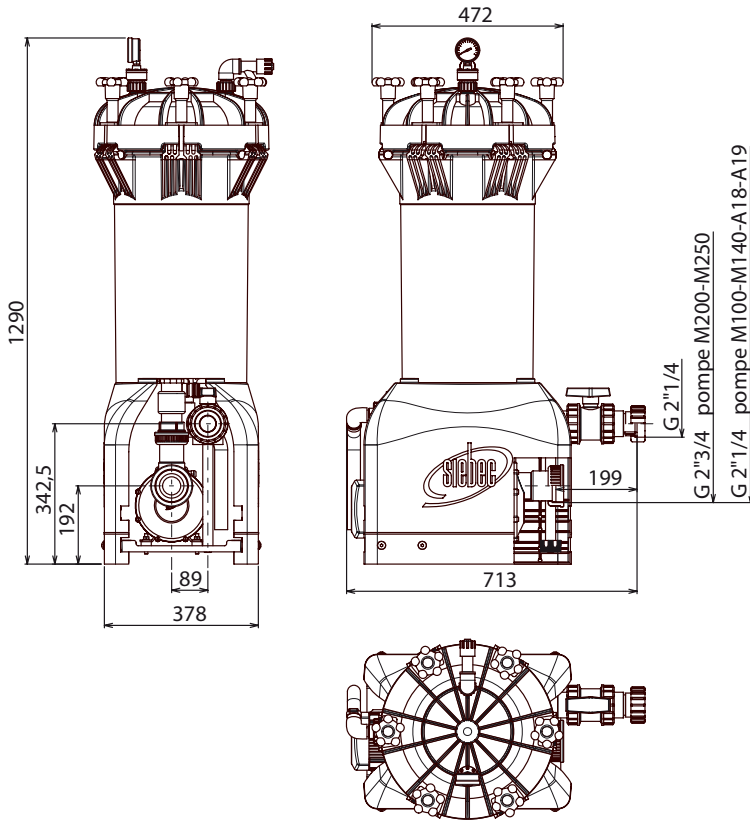


S50 S50E

S FILTER



Dimensions



Dimensions with dissolution tank

