

M 15

MAGNETIC DRIVE PUMPS



Highlights

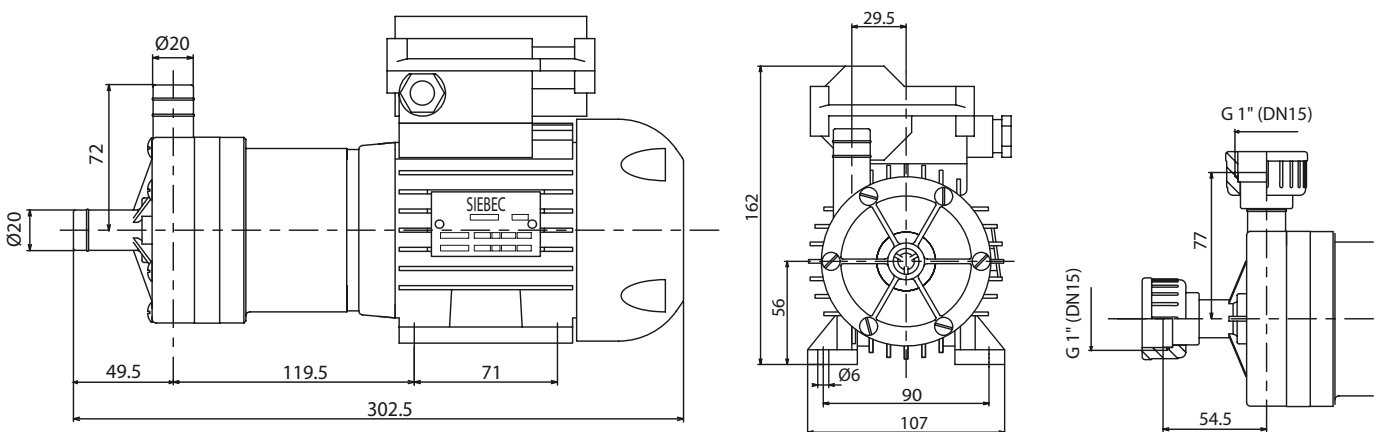
- Polypropylene construction : great resistance to acids and alkalines
- Closed centrifugal impeller : great efficiency
- Magnetic drive : no mechanical seals, no risks of leaks
- Connection : grooved nozzles
- Option : union nut



Technical features

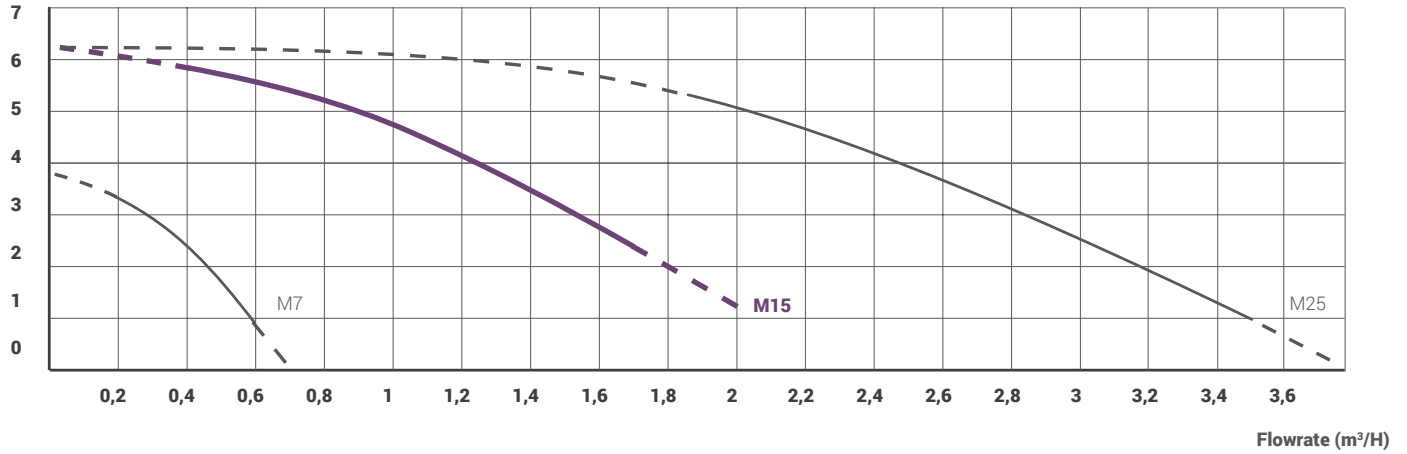
Drive	Magnetic	
Shaft / Sleeve	Ceramic / Rulon	
Electrical motor	Integrated	
Power supply - V	230 1ph or 230 / 400 3 ph	
Frequency - Hz	50 or 60	
Rotation speed - rpm	3 000	
Motor power - kW	0.045	
Max output - m³/h	2	
Max head - mWC	6	
Max temperature - °C	PP	80
	PVDF	Not available
Density	<1,2	
Gaskets	PP	EPDM - FPM
	PVDF	Not available

Dimensions



Flowrate charts

TOTAL HEAD (mWC)



NPSH charts

NPSH (mWC)

