

M 140

MAGNETIC DRIVE PUMPS



Highlights

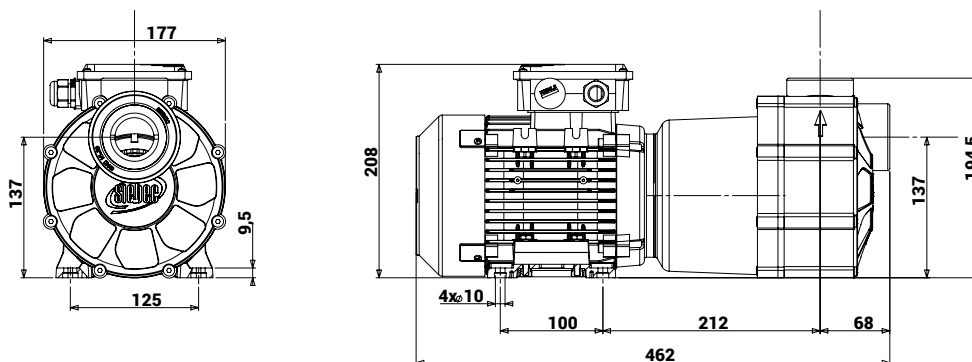
- Polypropylene construction : great resistance to acids and alkalines
- Closed centrifugal impeller with diffusor : great efficiency
- Magnetic drive : no mechanical seals, no risks of leaks
- Impeller shaft ceramic / ceramic or ceramic / graphite with ceramic / rulon stop : great resistance (no dry run)
- Self-priming : up to 2m vacuum
- Integrated safety strainer
- Integrated electrical motor IE3
- **Special high density PVDF versions : liquids of density 2**
- Connection : grooved nozzles
- Option : union nut, flanges



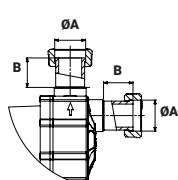
Technical features

Drive		Magnetic
Shaft / Sleeve		Ceramic / ceramic or graphite / ceramic
Electrical motor		IE3
Power supply - V		230 / 400 3ph
Frequency - Hz		50 or 60
Rotation speed - rpm		3 000
Motor power - kW		1,1
Max output - m³/h		16
Max head - mWC		19
Max temperature - °C	PP	80
	PVDF	110
Density		<1,5 (<2 PVDF in option)
Gaskets	PP	EPDM - FPM - PTFE
	PVDF	FPM

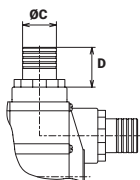
Dimensions



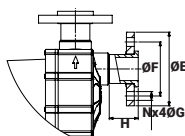
Connections



1 Union nut



2 Grooved nozzles



3 Flanges

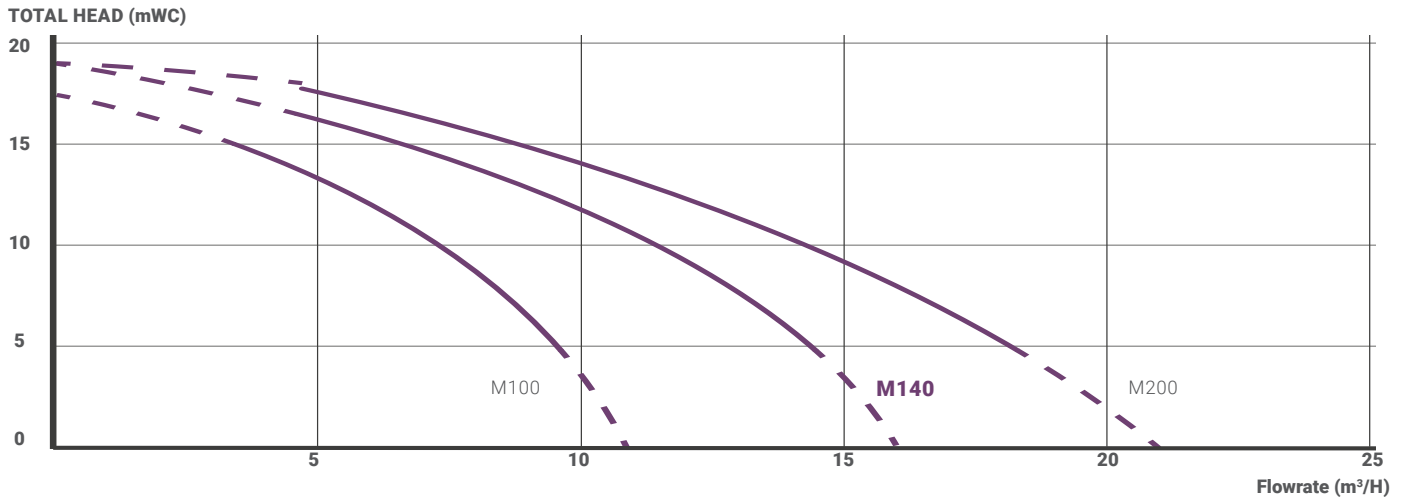
		Inlet	Outlet
1	ØA-B	2"1/4 (DN40) - 60	2"1/4 (DN40) - 60
2	ØC - D	40 - 47	40 - 57
3	ØE - ØF - NxØG - H	Ø150 - Ø 110 - 4X Ø18 - 59	Ø150 - Ø 110 - 4X Ø18 - 59

M 140

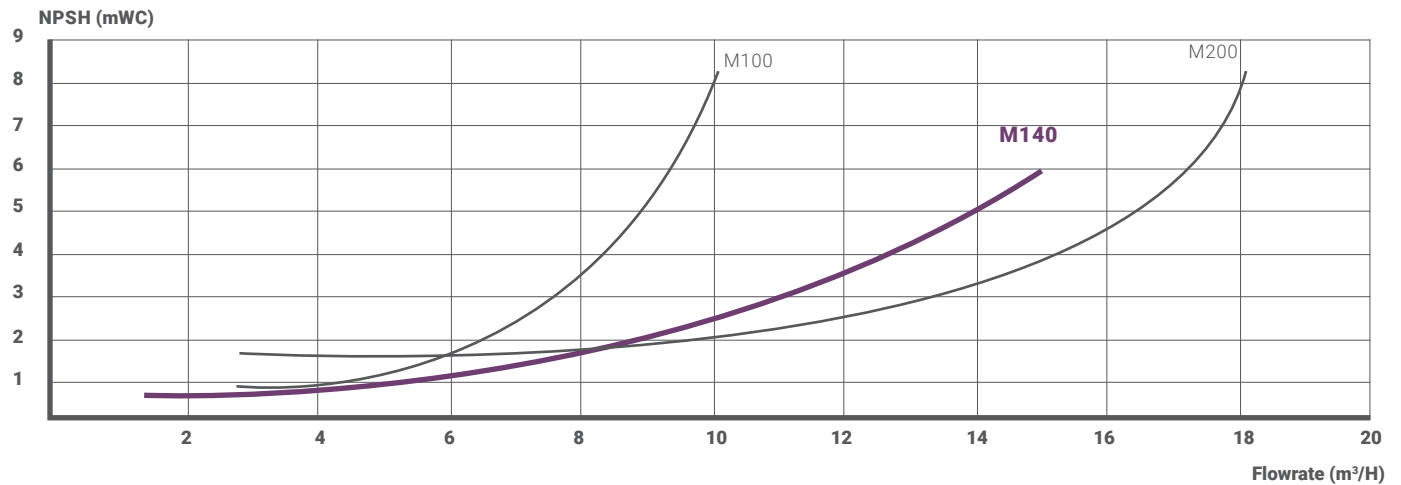
MAGNETIC DRIVE PUMPS



Flowrate charts



NPSH charts



Efficiency charts

