

# J15i

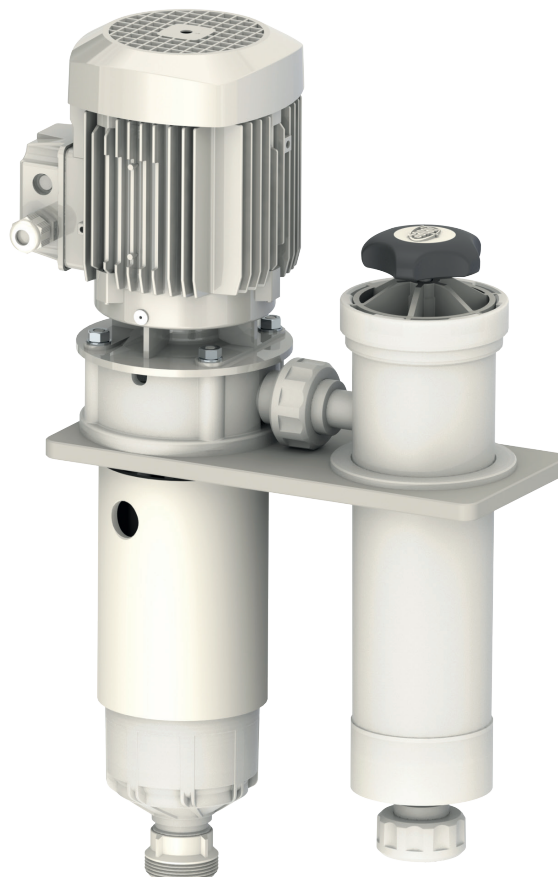
ST50 - 30 - 10 - 42 - 22



## J FILTER

### Highlights

- The enhanced hydraulic performances of the new ST pump range improve the filter productivity.
- Discover the pump features by following [this link](#)
- Compact design
- Injected PP or PVDF : great resistance to alkalies and acids
- Welded tank
- Quick opening lid
- Integrated automatic vent
- In tank or out of tank version



### Features

<b>Materials</b>		PP - PVDF
<b>Max temperature</b>	<b>PP</b>	80°C
	<b>PVDF</b>	110°C
<b>Filtration grade</b>		0,2 -> 100 µm
<b>Pumps</b>		ST10 - ST30 - ST50 - ST22 - ST42
<b>Flowrate</b>		1 up to 3,5 m <sup>3</sup> /h
<b>Connections</b>		Threaded G1"1/4 - grooved nozzles

### Filtration media

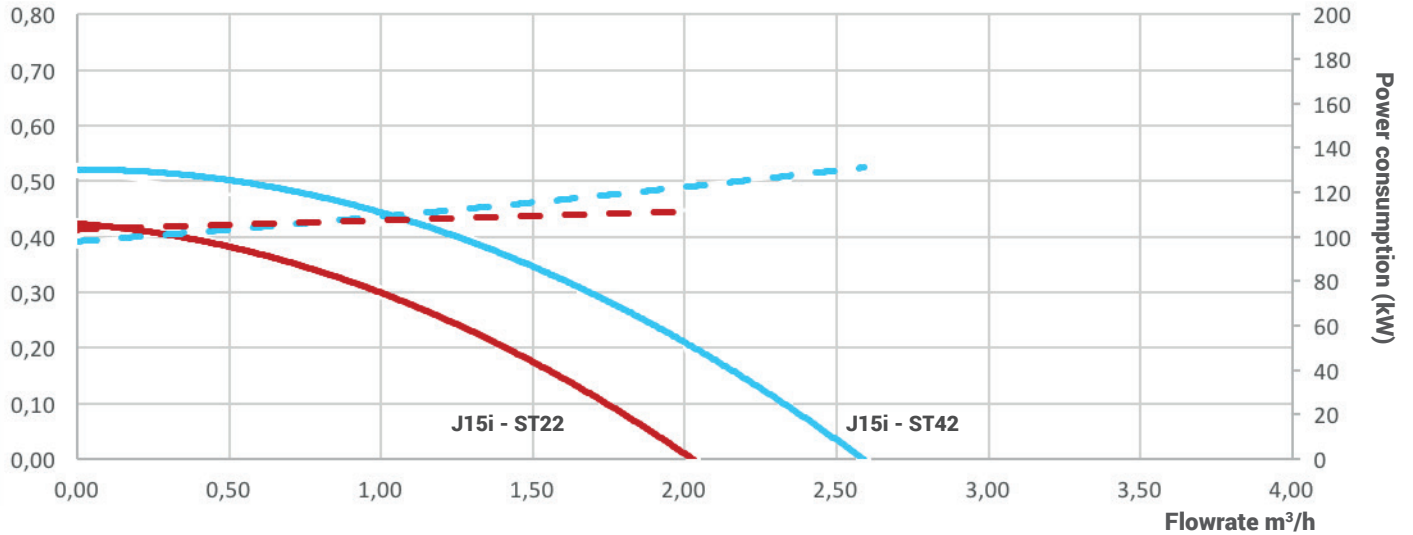


**1** Standard cartridge : 1 x 10" or 1 x 20"

$p = 1000 \text{ kg.m}^{-3}$   
 $T^\circ = 20^\circ \text{C}$   
 $f = 50 \text{ Hz}$   
 $\eta = 1 \text{ cst}$

## Pressure / flowrate chart J15i Out of tank version

H.M.T. (mWC)

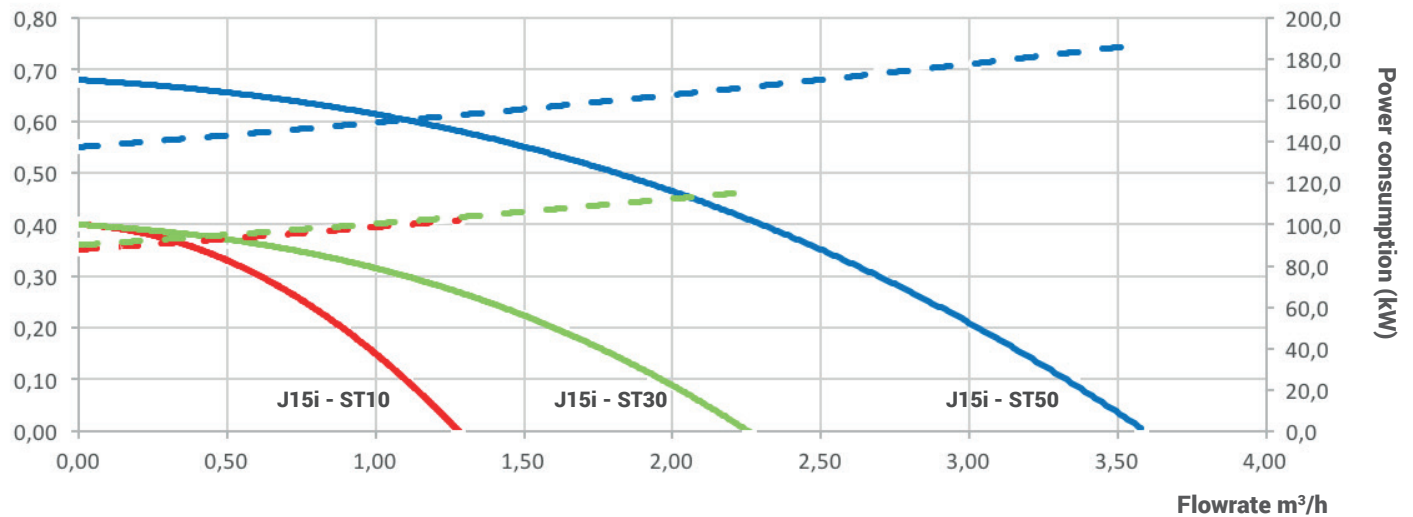


Flowrates measured without cartridge, with 20°C water. Flowrates are variable depend on the filtration technology and porosity.

## Pressure / flowrate chart J15i in tank version

H.M.T. (mWC)

$p = 1000 \text{ kg.m}^{-3}$   
 $T^\circ = 20^\circ \text{C}$   
 $f = 50 \text{ Hz}$   
 $\eta = 1 \text{ cst}$



Flowrates measured without cartridge, with 20°C water. Flowrates are variable depend on the filtration technology and porosity.

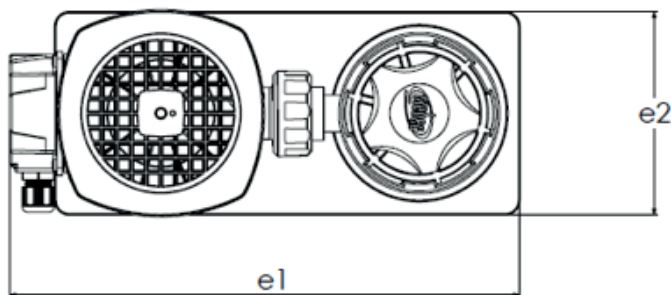
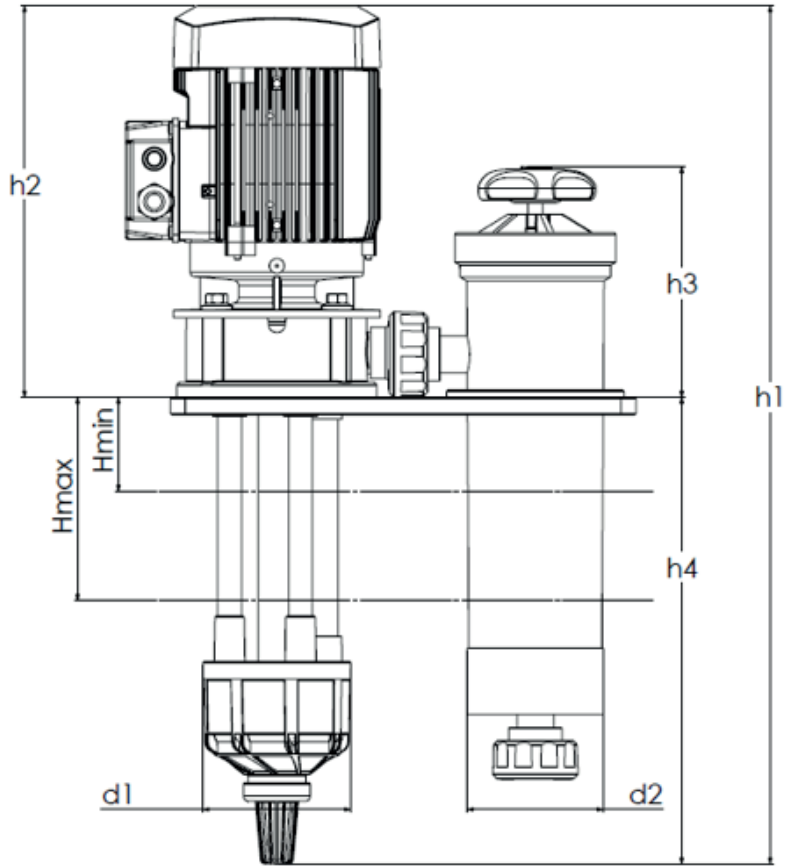
# J15i

ST50 - 30 - 10 - 42 - 22



J FILTER

## Dimensions



	H1	H2	H3	H4	D1	D2	e1	e2	Hmin	Hmax
<b>J15i + ST50</b>	581	265	156	316	100	92	346	138	40	110
<b>J15i + ST30</b>	575	265	156	310	100	92	346	138	40	130
<b>J15i + ST10</b>	575	224	156	310	100	92	346	138	30	150
<b>J15i + ST42</b>	563	265	156	298	110	92	346	138	60	110
<b>J15i + ST22</b>	556	265	156	291	110	92	346	138	60	130