

M 390



MAGNETIC DRIVE PUMPS

Highlights

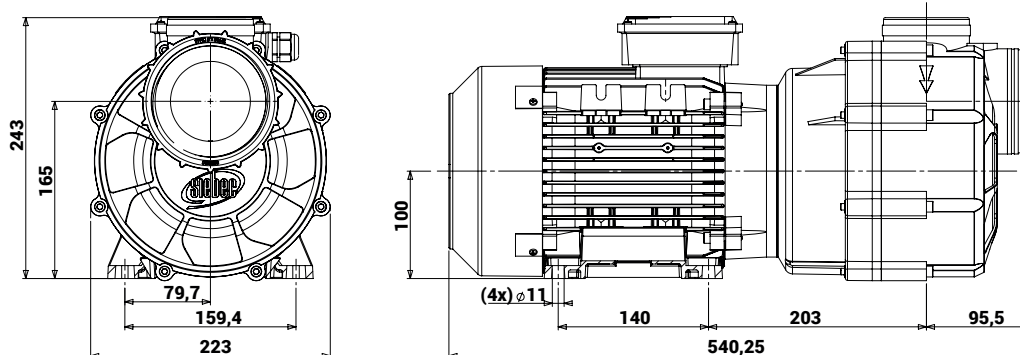
- Polypropylene construction : great resistance to acids and alkalines
- Closed centrifugal impeller with diffusor : great efficiency
- Magnetic drive : no mechanical seals, no risks of leaks
- Impeller shaft ceramic / ceramic or ceramic / graphite with ceramic / rulon stop : great resistance (no dry run)
- Self-priming : up to 2m vacuum
- Integrated safety strainer
- Integrated electrical motor IE3
- Connection : grooved nozzles
- Option : union nut, flanges
- **Special high density versions : liquids of 1,8 density**



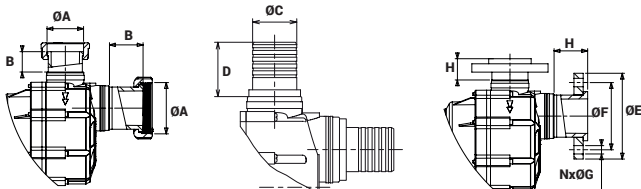
Technical features

Drive		Magnetic
Shaft / sleeve		Ceramic / ceramic with ceramic / rulon stop
Electric motor		IE3
Power supply - V		230 / 400 3ph
Frequency - Hz		50 ou 60
Rotation speed - rpm		3 000
Motor power - kW		3
Max flowrates - m3/h		43
Max height - mWC		22
Max temperature - °C	PP	80
	PVDF	110
Density		<1,3 (<1,8 in option)
Gaskets	PP	EPDM - FPM
	PVDF	FPM

Dimensions



Connections

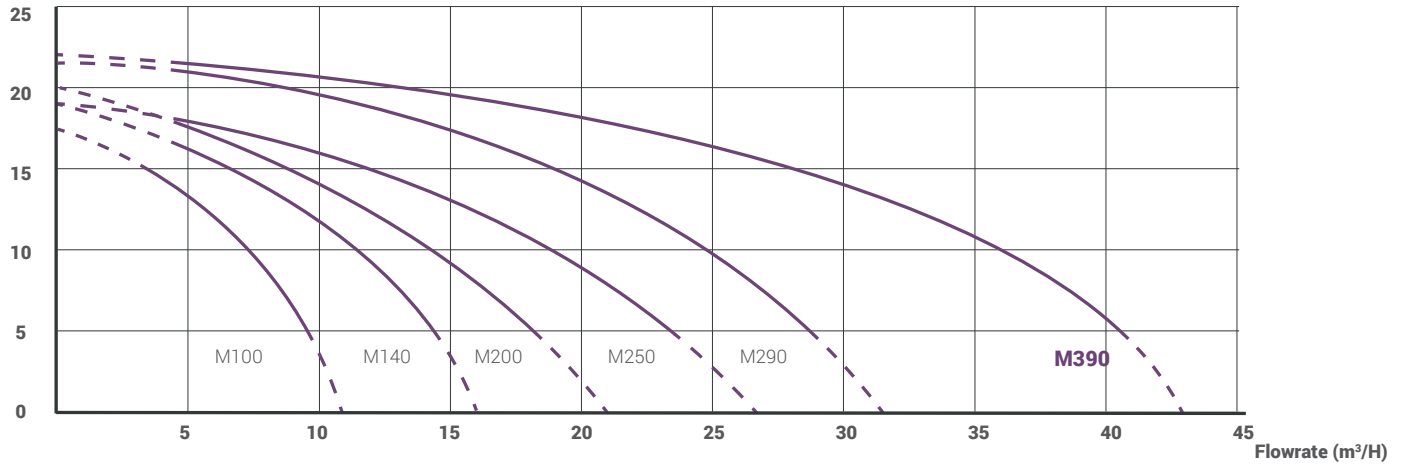


- 1** Union nut **2** Grooved nozzles **3** Flanges

		Inlet	Outlet
1	ØA-B	Tr 108x5 - DN65 - 73	G 2"3/4 - DN50 - 44
2	ØC - D	Ø65 - 80	Ø65 - 80
3	ØE - ØF - NxØG - H	Ø 185 - Ø145 - 4x Ø18 - 73	Ø 185 - Ø145 - 4x Ø18 - 46

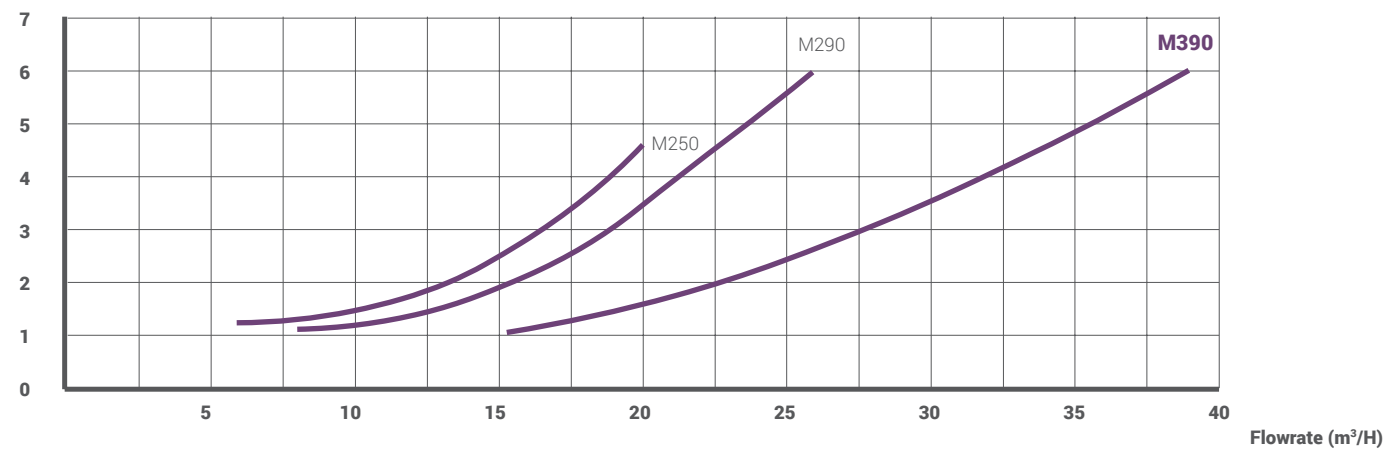
Flowrate charts

TOTAL HEAD (mWC)



NPSH charts

NPSH (mWC)



Efficiency charts

Efficiency (%)

